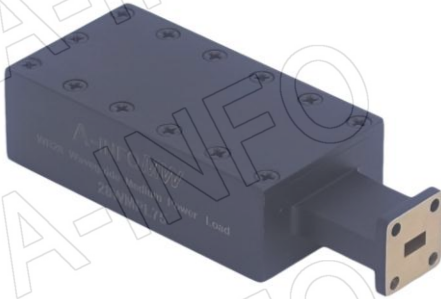


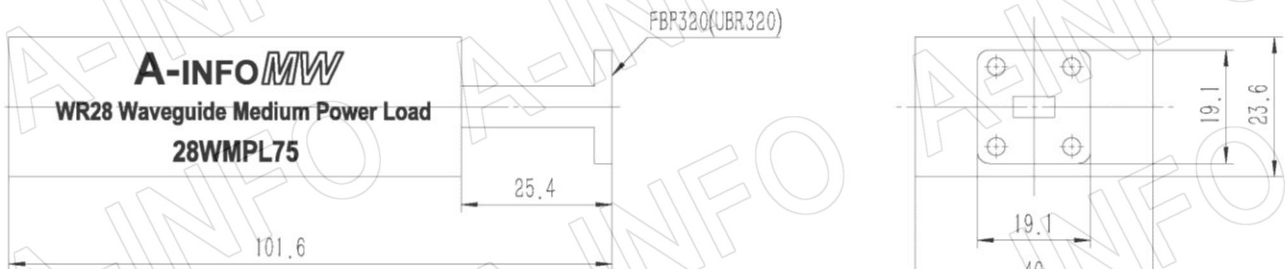
For reference only. See data sheet for the detailed specifications.

Technical Specification

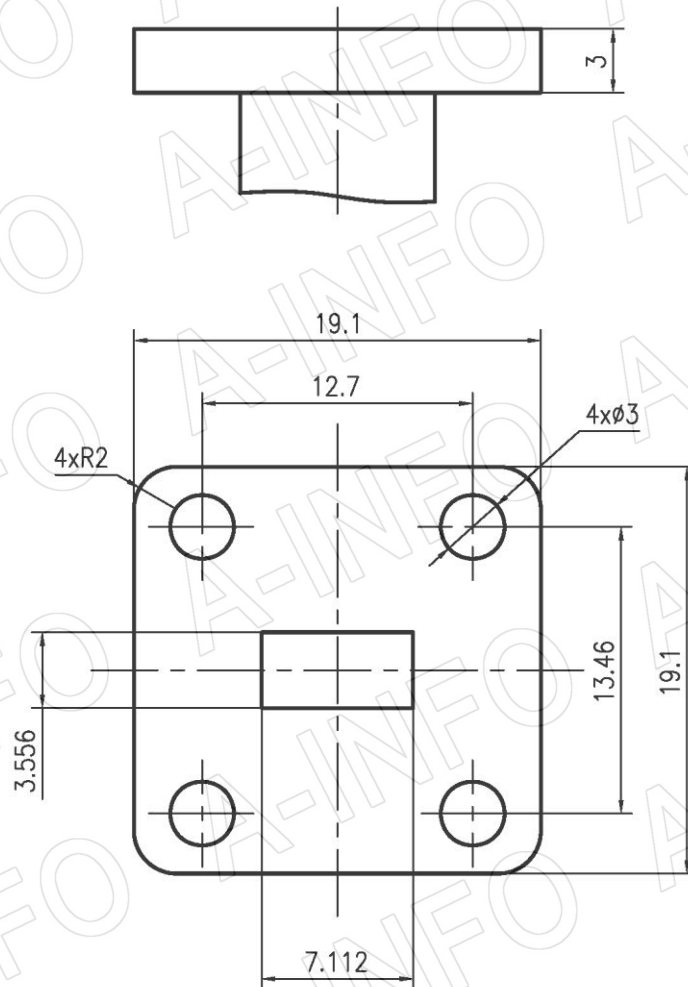


EIA WR	WR28
Frequency Range(GHz)	26.5 – 40.0
VSWR	1.20:1 Max.
Average Power(W CW)	75
Peak Power(KW)	50
Flange	FBP320(UBR320)
Material	Al
Size(mm)	101.6 x 40 x 23.6
Net Weight(Kg)	0.25 Around

Outline Drawing (Size: mm)



Flange Drawing (Size: mm)



FBP320

Test Results

VSWR

